

## Plastic Big Filter Housings

Grace Plastic Big Filter Housings are available in materials of clear and opaque sumps, providing versatile choices for residential, commercial and industrial applications. The extra large housings accept a wide variety of 115 mm diameter filter cartridges, allowing great flow capacity and providing economic alternatives of general water filtration. Housings are designed with single or double sealing o-rings to meet different requirements in various applications.



### Applications

Household Water Filtration, Chemicals, Laboratory Facilities, Pre RO, Electronics, Food & Beverage, Cooling Water Filtration

### Specifications

Housing Material	Reinforced Polypropylene (blue), Styrene Acrylonitrile (clear)
Cap Material	Acrylonitrile Butadiene Styrene (Single O-ring) Reinforced Polypropylene (Double O-rings)
O-ring	Buna-N

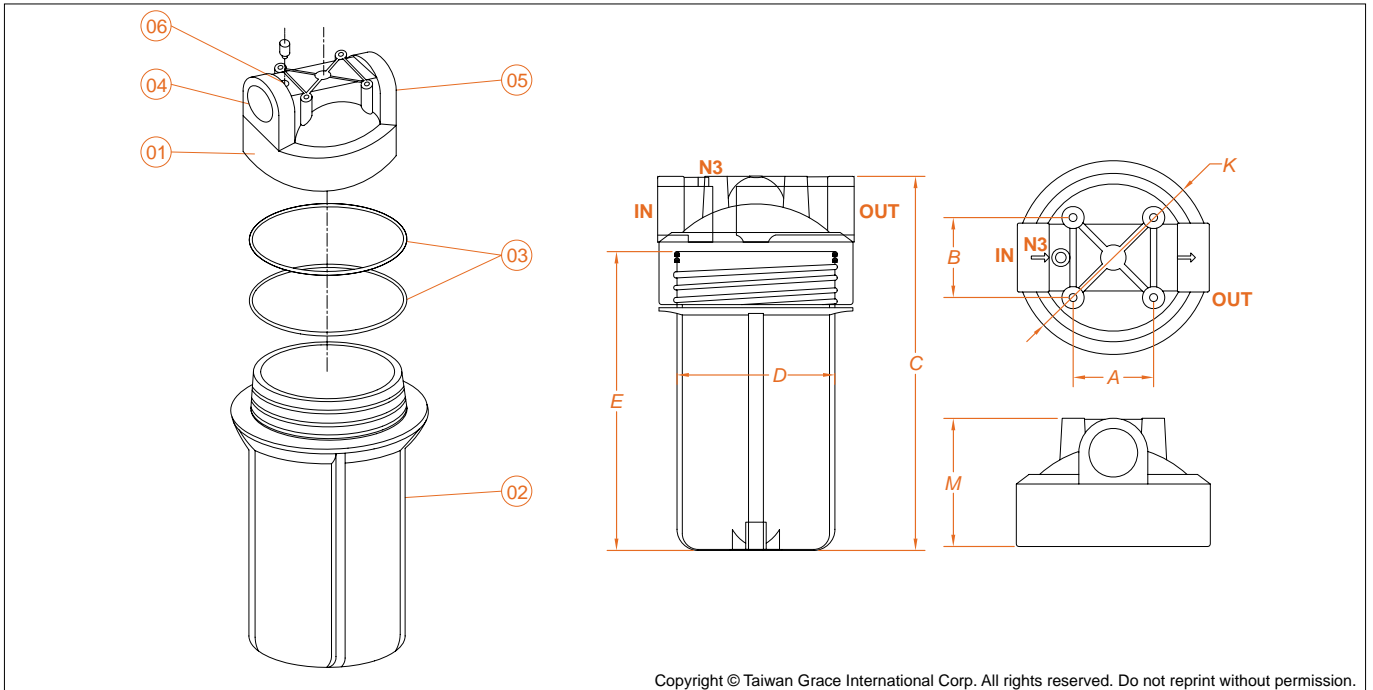
### Operation Data

Maximum Operating Temperature : 60°C (140°F)  
Maximum Operating Pressure : 7 bar(100 psi)

### Ordering Information

Type	Cartridge Length inch	Housing Color	Number of O-rings	Cap Color	Vent	Inlet/Outlet Porting (inch)	Inlet/Outlet Brass	O-ring Option	Series
<b>PH</b> Plastic Filter Housing	<b>10</b> – 10"	<b>C</b> -Clear	<b>1</b> -Single O-ring	<b>K</b> -Black	<b>V</b> -Vent	<b>N10</b> - 1" NPTF	<b>(blank)</b> No Brass <b>A</b> -Port Brass	<b>B</b> -Buna-N	<b>B</b> Big
		<b>B</b> -Blue	<b>2</b> -Double O-rings		<b>N</b> -No Vent	<b>B10</b> - 1" BSPF			
	<b>20</b> – 20"					<b>N15</b> - 1.5"NPTF			
						<b>B15</b> - 1.5"BSPF			
<b>PH</b> Plastic Filter Housing	<b>10</b> 10"	<b>C</b> Clear	<b>1</b> Single O-ring	<b>K</b> Black	<b>V</b> Vent	<b>N06</b> 3/4" NPT		<b>B</b> Buna-N	<b>B</b> Big

# Plastic Big Filter Housings



Copyright © Taiwan Grace International Corp. All rights reserved. Do not reprint without permission.

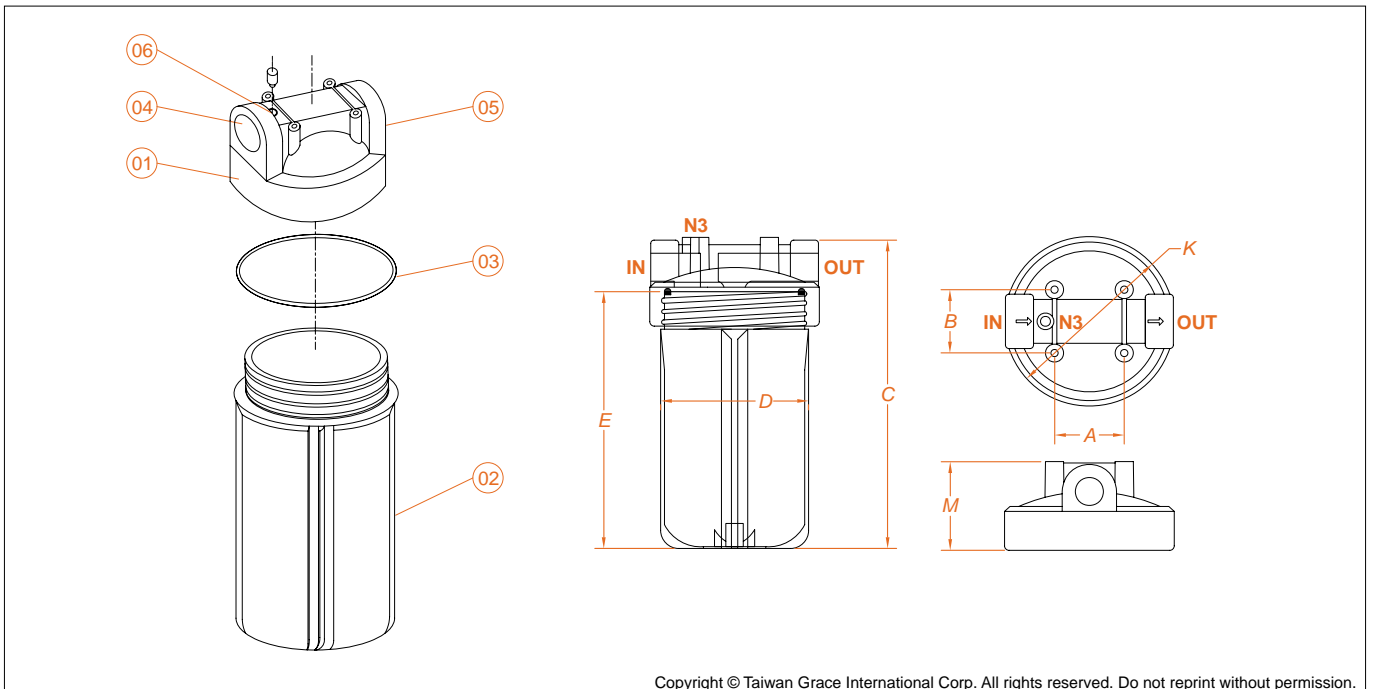
## Components

No.	Description	Qty
01	Cap	1
02	Filter Housing	1
03	O-ring	2
04	Port(Inlet)	1
05	Port(Outlet)	1
06	Vent	1

## Dimensions

Model	A	B	C	ØD	E	ØK	M	Flow Rate	G. Weight
PH10 B	74	74	353	148	286	181	121	0 ~ 20 GPM / 0 ~ 4.5 m <sup>3</sup> /hr	2.75kg
PH20 B	74	74	604	148	540	181	121	0 ~ 40 GPM / 0 ~ 9 m <sup>3</sup> /hr	4.00kg

UNIT : mm  
 Customized housings are available on requests.  
 Actual flow rates will be determined on element selection and fluid viscosity.



Copyright © Taiwan Grace International Corp. All rights reserved. Do not reprint without permission.

## Components

No.	Description	Qty
01	Cap	1
02	Filter Housing	1
03	O-ring	1
04	Port(Inlet)	1
05	Port(Outlet)	1
06	Vent	1

## Dimensions

Model	A	B	C	ØD	E	ØK	M	Flow Rate	G. Weight
PH10 B	77	70	341	163	284	187	98	0 ~ 20 GPM / 0 ~ 4.5 m <sup>3</sup> /hr	2.70kg
PH20 B	77	70	597	163	540	187	98	0 ~ 40 GPM / 0 ~ 9 m <sup>3</sup> /hr	3.70kg

UNIT : mm  
 Customized housings are available on requests.  
 Actual flow rates will be determined on element selection and fluid viscosity.