



UPVC Filter Cartridge Housings

Grace UPVC Cartridge Filter Housings feature excellent anti-corrosion ability by the wide chemical compatibility. Compared with products made of stainless steel in the same dimensions, the UPVC cartridge filter housings advantage of lightness, superior corrosion resistance, low cost and rust free. Innovative designs such as spin-off cap closure with easy element change out and mounting flange with secure installation make the UPVC filter housings ideal for various processes without complicated preparation.

- Ⓞ **Free of rust contamination in process fluid because of excellent anti-corrosion ability.**
- Ⓞ **Compared with products made by stainless steel, the UPVC filter housings advantage of lightness and low cost.**
- Ⓞ **Spin-off cap closure requires just a few turns to open and close, making element change out easy and quick.**
- Ⓞ **Bottom mounting flange provides secure and stable installation, enhanced safety and improved consistency during processes.**

Applications

Pre RO, Desalination, Waste Water Treatment, Household Water Filtration

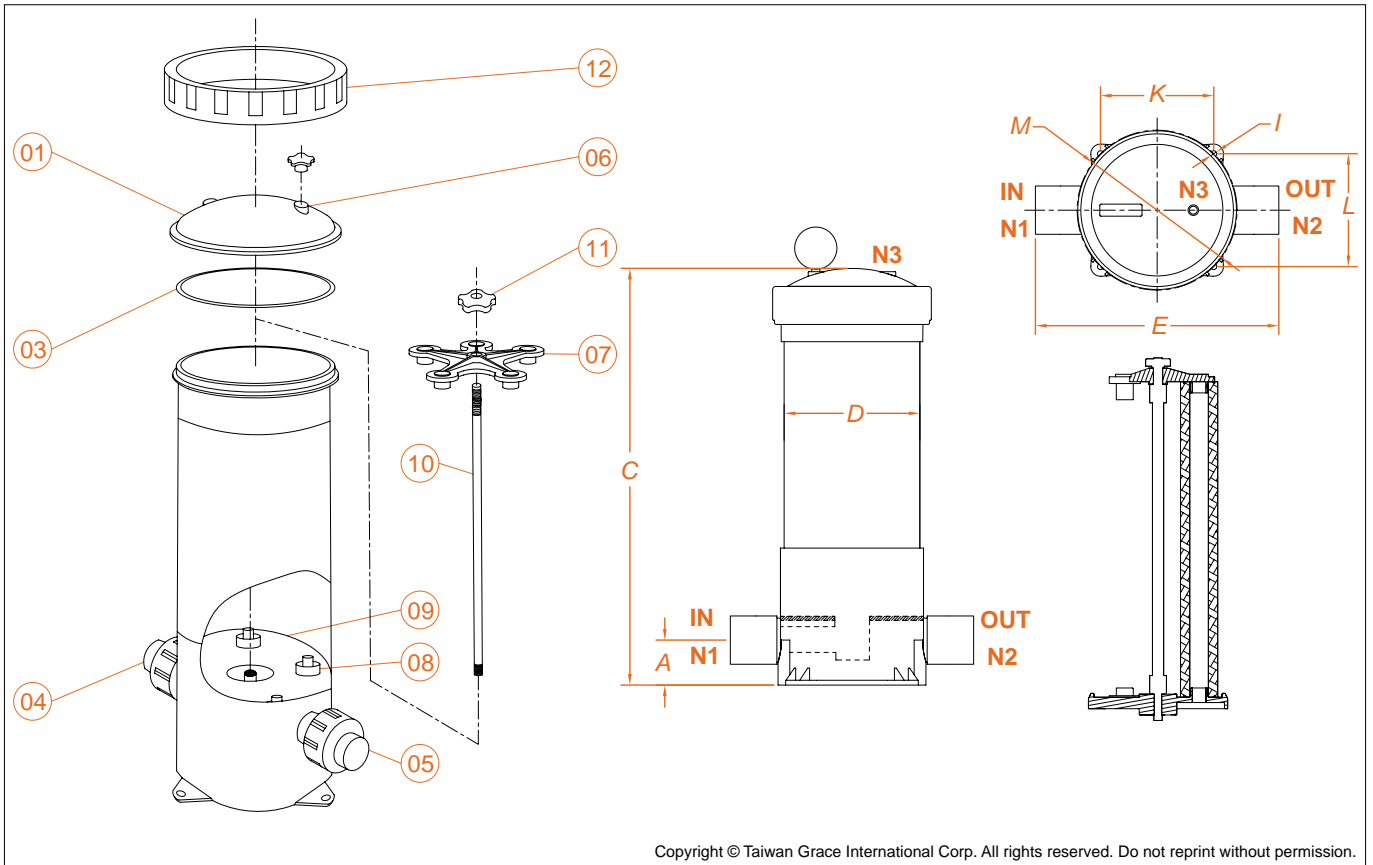
Operation Data

Maximum Operating Temperature : 60°C (140°F)
Maximum Operating Pressure : 4 bar(58 psi)

Ordering Information

Type	Length of Cartridge	Material of Construction	Number of Cartridges	Inlet/Outlet Size (inch/mm)		O-ring Option
				Pipe Standard	Gauge Size	
UFC Cartridge Filter Housing	10 - 10"	U - UPVC	3 - 3pcs 5 - 5pcs	A - ANSI	15 - 1.5"(48mm)	E -EPDM V -Viton S -Silicone
	20 - 20"				20 - 2"(60mm)	
	30 - 30"			D - DIN	40 - 50mm	
	40 - 40"				50 - 63mm	
UFC Cartridge Filter Housing	30 30"	U UPVC	5 5pcs	A ANSI	20 2"	E EPDM O-ring

UPVC Filter Cartridge Housings



Components

No.	Description	Qty
01	Top Cap	1
02	Shell	1
03	O-ring	1
04	Port(Inlet)	1
05	Port(Outlet)	1
06	Vent	1
07	Cartridge Squeeze Plate	1
08	Cartridge Bowl	3, 5
09	Cartridge Support Plate	1
10	Screw Stay	1
11	Nut	1
12	Retainer Ring	1

Dimensions

Model	A	C	ØD	E		ØJ	K	L	ØM	N1	N2	N3	Flow Rate	G. Weight
				DIN/ANSI 1.5"	DIN/ANSI 2"									
UFC10U3/5	75	465	225	365	473	10	188	186	262	DIN/ANSI 1.5"	1/4"	1/4"	0~ 25 GPM / 0 ~ 5 m³/hr	8.0kg
UFC20U3/5	75	715	225	365	473	10	188	186	262	DIN/ANSI 1.5"	1/4"	1/4"	0~ 55 GPM / 0 ~ 11 m³/hr	9.5kg
UFC30U3/5	75	965	225	365	473	10	188	186	262	DIN/ANSI 1.5"	1/4"	1/4"	0~ 85 GPM / 0 ~ 17 m³/hr	13.0kg
UFC40U3/5	75	1215	225	365	473	10	188	186	262	DIN/ANSI 2"	1/4"	1/4"	0~110 GPM / 0 ~ 22 m³/hr	15.3kg

UNIT : mm

Customized housings are available on requests.

Actual flow rates will be determined on element selection and fluid viscosity.



UPVC High Pressure Cartridge Filter Housings

Grace UPVC High Pressure Cartridge Filter Housings have excellent anti-corrosion ability because parts that have contact with process fluids are made of UPVC. Compared with products made of stainless steel in the same dimensions, the UPVC cartridge filter housings prevail of lightness, low cost and rust free. Secure quick swing bolt closure makes element change out convenient and exhibits better sealing performance. Mounting flange provides stable installation and turns UPVC filter housings as ideal options for various processes without complicated preparation.

- Ⓞ **Free of rust contamination in process fluid because of excellent anti-corrosion ability.**
- Ⓞ **Compared with products made by stainless steel, the UPVC filter housings prevail of lightness and low cost.**
- Ⓞ **Quick swing bolt closure makes element change out convenient and exhibits better sealing performance.**
- Ⓞ **Bottom mounting flange provides secure installation, enhanced safety and improved consistency during processes.**

Applications

Pre RO, Desalination, Waste Water Treatment, Household Water Filtration

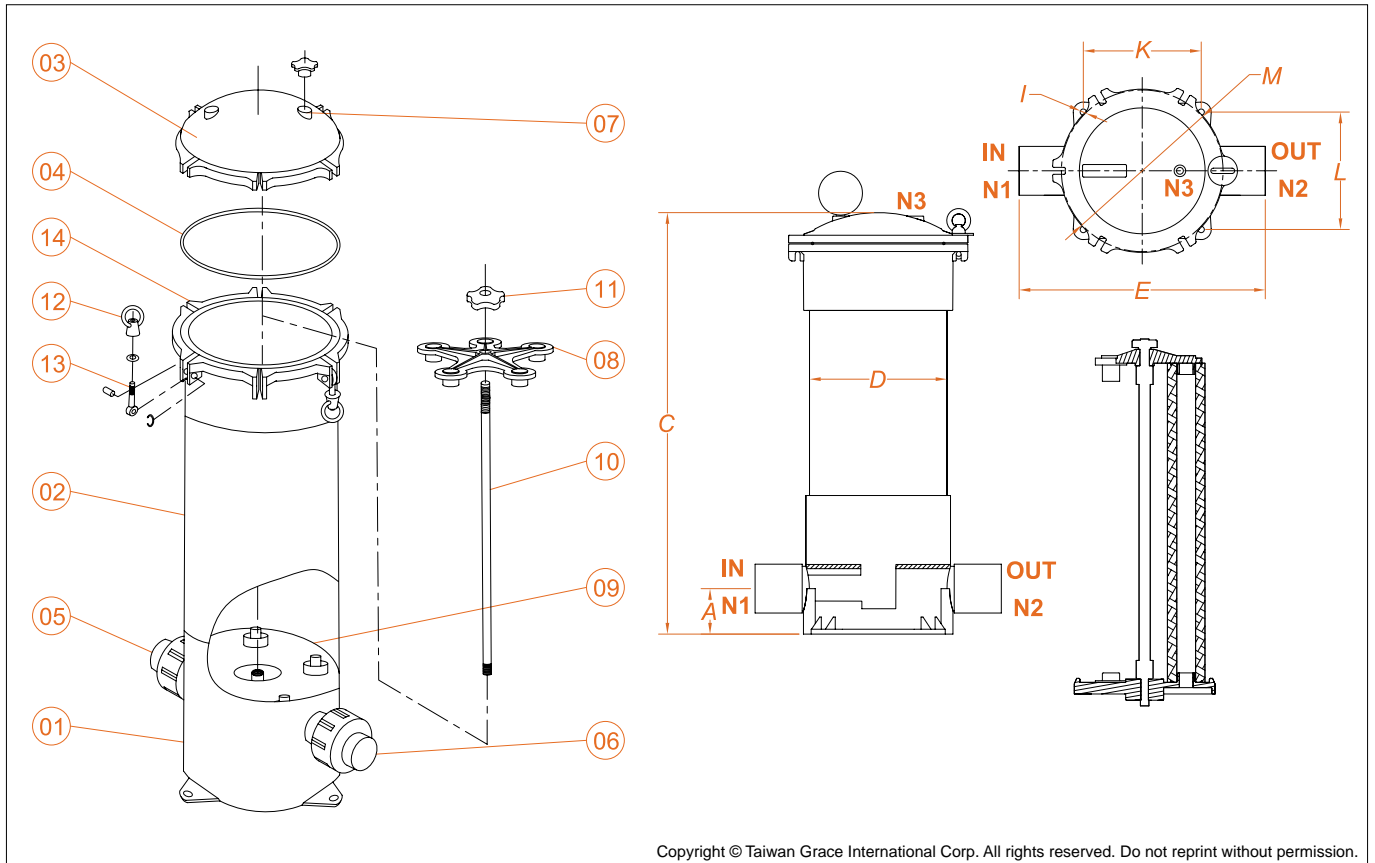
Operation Data

Maximum Operating Temperature : 60°C (140°F)
Maximum Operating Pressure : 4 bar(58 psi)

Ordering Information

Type	Length of Cartridge	Material of Construction	Number of Cartridges	Inlet/Outlet Size (inch/mm)		O-ring Option	
				Pipe Standard	Gauge Size		
UFCG High Pressure Cartridge Filter Housing	10 - 10"	U - UPVC	3 - 3pcs	A - ANSI	15 - 1.5"(48mm)	E -EPDM V -Viton S -Silicone	
	20 - 20"				20 - 2"(60mm)		
	30 - 30"			5 - 5pcs	D - DIN		40 - 50mm
	40 - 40"			50 - 63mm			
UFCG High Pressure Cartridge Filter Housing	30 30"	U UPVC	5 5 pcs	A ANSI	20 2"	S Silicone O-ring	

UPVC High Pressure Cartridge Filter Housings



Copyright © Taiwan Grace International Corp. All rights reserved. Do not reprint without permission.

Components

No.	Description	Qty
01	Pedestal	1
02	Body	1
03	Cap	1
04	O-ring	1
05	Port(Inlet)	1
06	Port(Outlet)	1
07	Vent	1
08	Cartridge Squeeze Plate	3, 5
09	Cartridge Support Plate	1
10	Screw Stay	1
11	Nut	1
12	Eye Nut	6
13	Eye Bolt	6
14	Eye Bolt Socket	6

Dimensions

Model	A	C	ØD	E		ØJ	K	L	ØM	N1 N2	N3	Flow Rate	G. Weight
				DIN/ANSI 1.5"	DIN/ANSI 2"								
UFCG10U3/5	75	465	225	365	473	10	188	186	290	DIN/ANSI	1/4"	0~ 25 GPM / 0 ~ 5 m³/hr	8.0kg
UFCG20U3/5	75	715	225	365	473	10	188	186	290	1.5"	1/4"	0~ 55 GPM / 0 ~ 11 m³/hr	9.5kg
UFCG30U3/5	75	965	225	365	473	10	188	186	290	DIN/ANSI	1/4"	0~ 85 GPM / 0 ~ 17 m³/hr	13.0kg
UFCG40U3/5	75	1215	225	365	473	10	188	186	290	2"	1/4"	0~110 GPM / 0 ~ 22 m³/hr	15.3kg

UNIT : mm

Customized housings are available on requests.

Actual flow rates will be determined on element selection and fluid viscosity.



UPVC High Pressure Multi-cartridges Filter Housings

Grace UPVC High Pressure Multi-cartridges Filter Housings feature excellent anti-corrosion by wide chemical compatibility. Compared with products made of stainless steel in the same dimensions, the UPVC cartridge filter housings advantage of lightness, superior corrosion resistance, low cost and rust free. Secure quick swing bolt closure makes element change out convenient and exhibits a better sealing performance, making the UPVC high pressure filter housings ideal for critical processes requiring high flow capacity.

- Ⓞ **Free of rust contamination in process fluid because of excellent anti-corrosion ability.**
- Ⓞ **Compared with products made of stainless steel, the UPVC filter housings advantage of lightness and low cost.**
- Ⓞ **Quick swing bolt closure makes element change out convenient and provides a better sealing performance.**
- Ⓞ **The high pressure type housings accept 9 rounds of filter cartridges, producing higher flow capacity for critical chemical processes.**

Applications

Pre RO, Desalination, Waste Water Treatment, Household Water Filtration

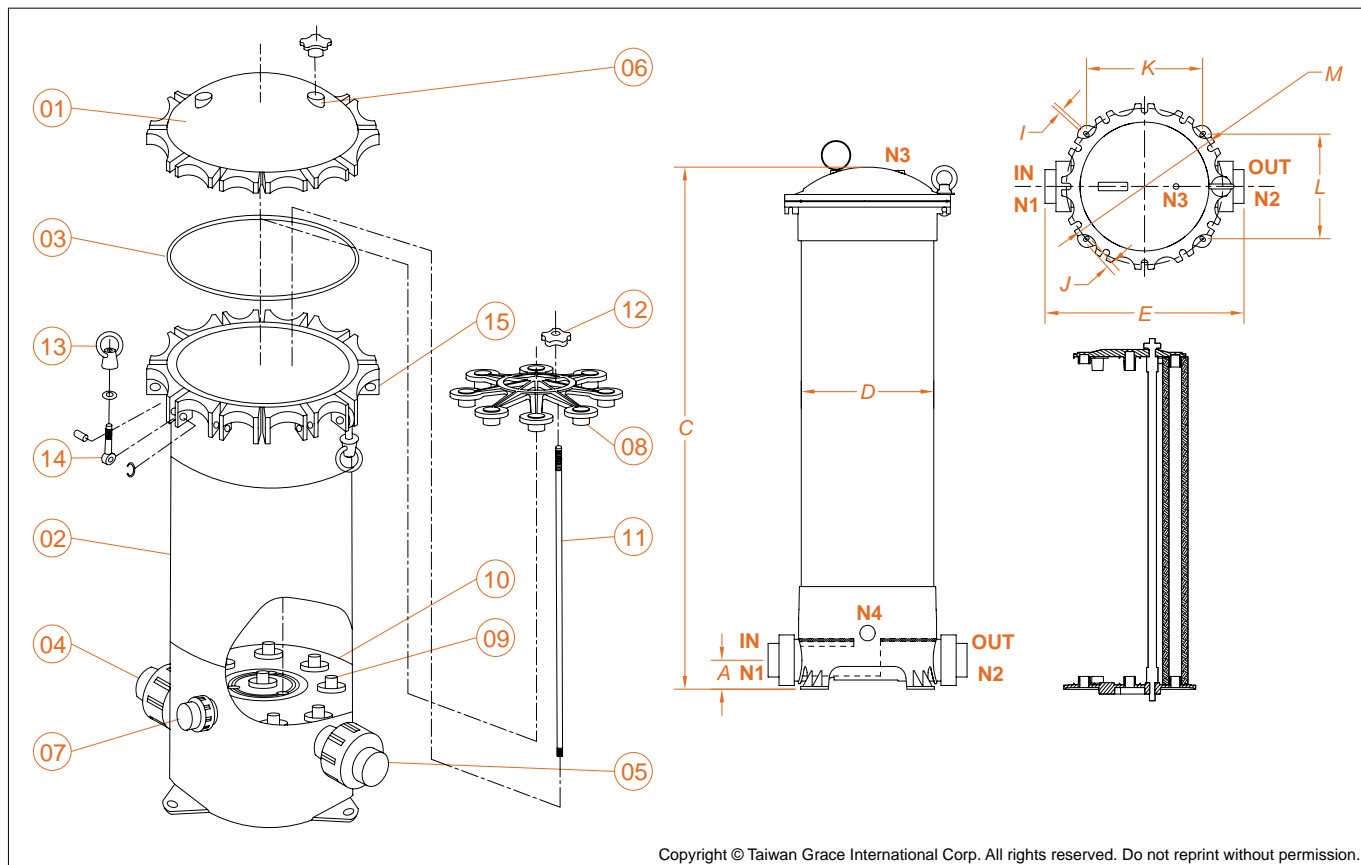
Operation Data

Maximum Operating Temperature : 60°C (140°F)
Maximum Operating Pressure : 4 bar(58 psi)

Ordering Information

Type	Length of Cartridge	Material of Construction	Number of Cartridges	Inlet/Outlet Size (inch/mm)		O-ring Option
				Pipe Standard	Gauge Size	
UFCG High Pressure Cartridge Filter Housing	10 - 10"	U - UPVC	8-8pcs 9-9pcs	A - ANSI	30-3"(89mm)	E -EPDM V -Viton
	20 - 20"					
	30 - 30"			D - DIN	80-90mm	S -Silicone
	40 - 40"					
UFCG High Pressure Cartridge Filter Housing	30 30"	U UPVC	8 8 pcs	A ANSI	30 3"	S Silicone O-ring

UPVC High Pressure Multi-cartridges Filter Housings



Components

No.	Description	Q'ty
01	Top Cap	1
02	Shell	1
03	O-ring	1
04	Port(Inlet)	1
05	Port(Outlet)	1
06	Vent	1
07	Drain	1
08	Cartridge Squeeze Plate	1
09	Cartridge Bowl	9
10	Cartridge Support Plate	1
11	Screw Stay	3
12	Nut	3
13	Eye Nut	12
14	Eye Bolt	12
15	Eye Bolt Socket	12

Dimensions

Model	A	C	ØD	E	I	J	K	L	ØM	N1	N2	N3	N4	Flow Rate	G. Weight
UFCG10U8/9	69	495	315	510	9	15	276	249	395			1/4"		0~ 45 GPM / 0 ~ 10 m ³ /hr	8.0kg
UFCG20U8/9	69	745	315	510	9	15	276	249	395	DIN 3"		1/4"	DIN 1/2"	0~ 90 GPM / 0 ~ 20 m ³ /hr	9.5kg
UFCG30U8/9	69	995	315	510	9	15	276	249	395	ANSI 3"		1/4"	ANSI 1/2"	0~135 GPM / 0 ~ 30 m ³ /hr	13.0kg
UFCG40U8/9	69	1245	315	510	9	15	276	249	395			1/4"		0~180 GPM / 0 ~ 40 m ³ /hr	15.3kg

UNIT : mm

Customized housings are available on requests.

Actual flow rates will be determined on element selection and fluid viscosity.

UPVC Bag Filter Housings



Grace UPVC Bag Filter Housings feature excellent anti-corrosion by wide chemical compatibility. Compared with products made of stainless steel in the same dimensions, the UPVC filter housings advantage of lightness, superior corrosion resistance, low cost and rust free. Innovative design of spin-off cap closure makes element change out easy and convenient, exempting complicated preparation. All units are shipped with bag hold-down assembly to avoid bypass and thereof enhance filtration quality.

- Ⓞ **Free of rust contamination in process fluid because of excellent anti-corrosion ability.**
- Ⓞ **Compared with products made of stainless steel, the UPVC filter housings prevail of lightness and low cost.**
- Ⓞ **Spin-off cap closure requires just a few turns to open and close, making element change out easy and quick.**
- Ⓞ **All units are shipped with bag hold-down assembly to avoid bypass possibilities.**

Applications

Pre RO, Desalination, Waste Water Treatment, Household Water Filtration

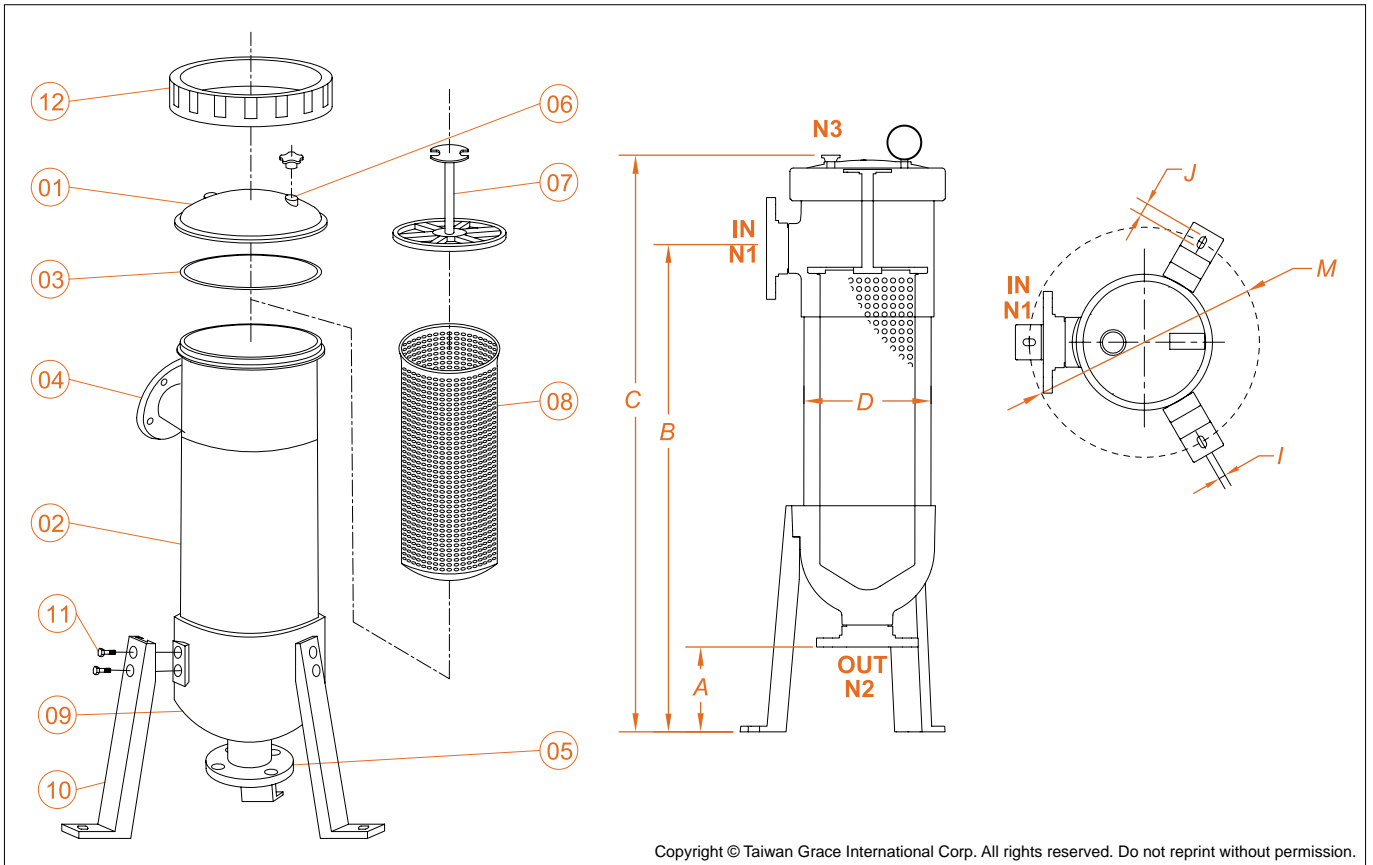
Operation Data

Maximum Operating Temperature : 60°C (140°F)
Maximum Operating Pressure : 4 bar(58 psi)

Ordering Information

Type	Bag Size	Material of Construction	Number of Bag	Inlet/Outlet Size (inch/mm)	O-ring Option
UFB Bag Filter Housing	01- Size 1 02- Size 2	U - UPVC	1 - 1 pce	A20 - ANSI 2" Flange(60mm) D50 - DIN 50 Flange(63mm)	E -EPDM V -Viton S -Silicone
UFB Bag Filter Housing	02 Size 2	U UPVC	1 1 pce	A20 ANSI 2" Flange	S Silicone O-ring

UPVC Bag Filter Housings



Components

No.	Description	Q'ty
01	Top Cap	1
02	Shell	1
03	O-ring	1
04	Port(Inlet)	1
05	Port(Outlet)	1
06	Vent	1
07	Bag Hold-down Assembly	1
08	Support Basket	1
09	Pedestal	1
10	Support Leg	3
11	Screw	6
12	Retainer Ring	1

Dimensions

Model	A	B	C	ØD	I	J	ØM	N1 N2	N3	Flow Rate	G. Weight
UFB01U1	150	630	785	225	12	22	407	DIN 2" / ANSI 2"	1/4"	0~ 90 GPM / 0 ~ 20 m ³ /hr	11.0kg
UFB02U1	150	1015	1180	225	12	22	407	DIN 2" / ANSI 2"	1/4"	0~200 GPM / 0 ~ 45 m ³ /hr	16.5kg

UNIT : mm

Customized housings are available on requests.

Actual flow rates will be determined on element selection and fluid viscosity.



UPVC High Pressure Bag Filter Housings

Grace UPVC Bag Filter Housings feature excellent anti-corrosion by wide chemical compatibility. Compared with products made of stainless steel in the same dimensions, the UPVC filter housings advantage of lightness, low cost and rust free. All units are shipped with bag hold-down assembly to avoid bypass possibilities. Secure quick swing bolt closure makes element change out convenient and exhibits a better sealing performance, enabling the UPVC high pressure bag filter housings to withstand higher operating pressure in critical processes.

- Ⓞ **Free of rust contamination in process fluid because of excellent anti-corrosion ability.**
- Ⓞ **Compared with products made by stainless steel, the UPVC filter housings advantage of lightness and low cost.**
- Ⓞ **Quick swing bolt closure makes element change out convenient and provides a better sealing performance.**
- Ⓞ **All units are shipped with bag hold-down assembly to avoid bypass possibilities.**

Applications

Pre RO, Desalination, Waste Water Treatment, Household Water Filtration

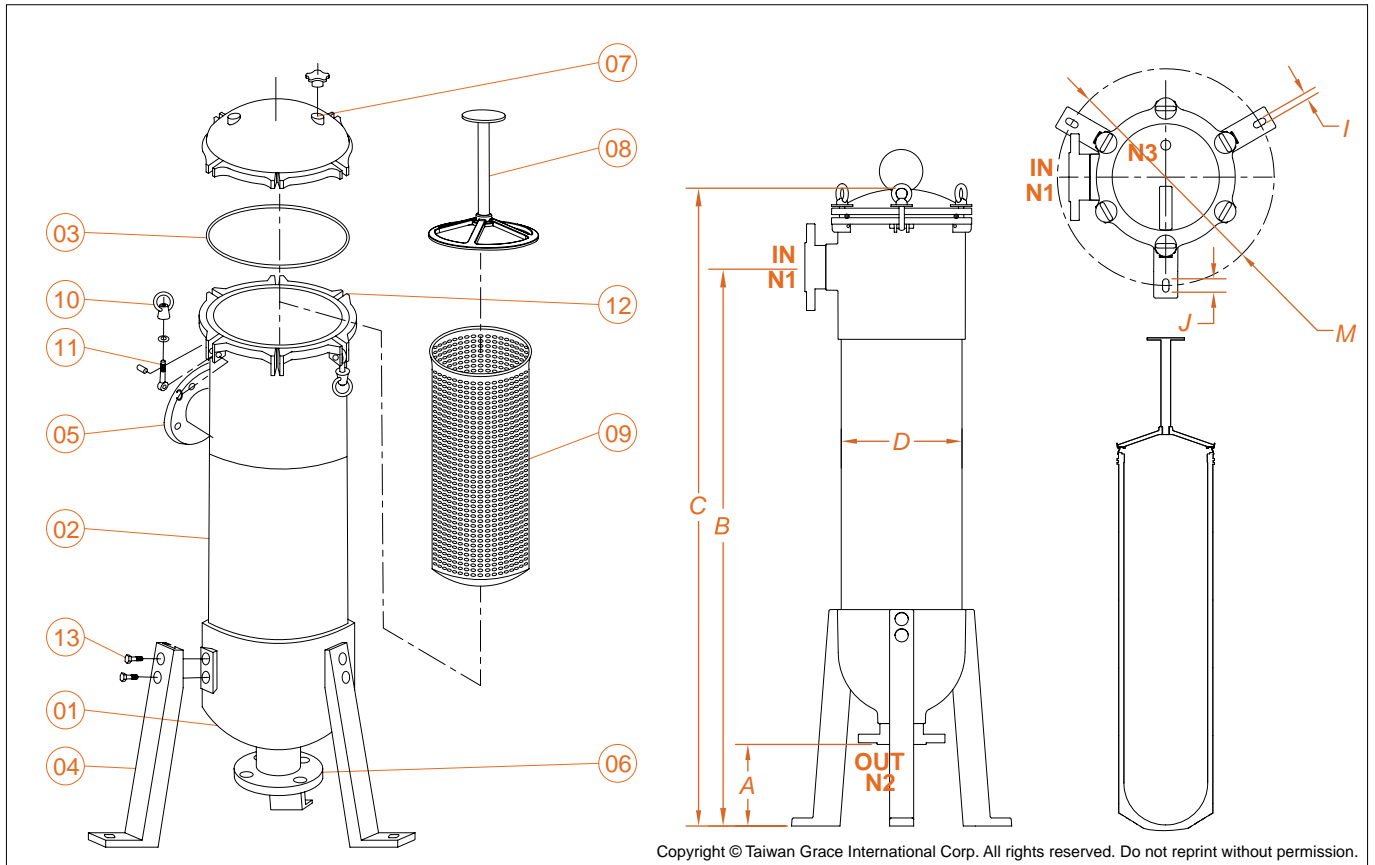
Operation Data

Maximum Operating Temperature : 60°C (140°F)
Maximum Operating Pressure : 4 bar(58 psi)

Ordering Information

Type	Bag Size	Material of Construction	Number of Bag	Inlet/Outlet Size (inch/mm)	O-ring Option
UFBG High Pressure Bag Filter Housing	01- Size 1 02- Size 2	U - UPVC	1 - 1 pce	A20 - ANSI 2" Flange(63mm) D50 - DIN 50 Flange(50mm)	E -EPDM V -Viton S -Silicone
UFBG High Pressure Bag Filter Housing	02 Size 2	U UPVC	1 1 pce	A20 ANSI 2" Flange	S Silicone O-ring

UPVC High Pressure Bag Filter Housings



Components

No.	Description	Q'ty
01	Pedestal	1
02	Body	1
03	O-ring	1
04	Leg Support	3
05	Inlet Port	1
06	Outlet Port	1
07	Vent	1
08	Support Basket	1
09	Basket	1
10	Eye Nut	6
11	Eye Bolt	6
12	Eye Bolt Socket	6
13	Screw	6

Dimensions

Model	A	B	C	ØD	I	J	ØM	N1 N2	N3	Flow Rate	G. Weight
UFBG01U	150	665	820	225	12	22	407	DIN 2" / ANSI 2"	1/4"	0~ 90 GPM / 0 ~ 20 m ³ /hr	11.0kg
UFBG02U	150	1045	1200	225	12	22	407	DIN 2" / ANSI 2"	1/4"	0~200 GPM / 0 ~ 45 m ³ /hr	16.5kg

UNIT : mm

Customized housings are available on requests.

Actual flow rates will be determined on element selection and fluid viscosity.